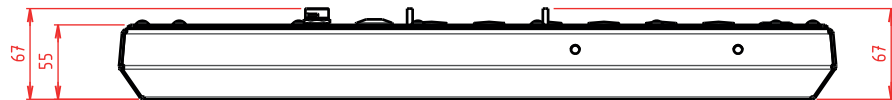
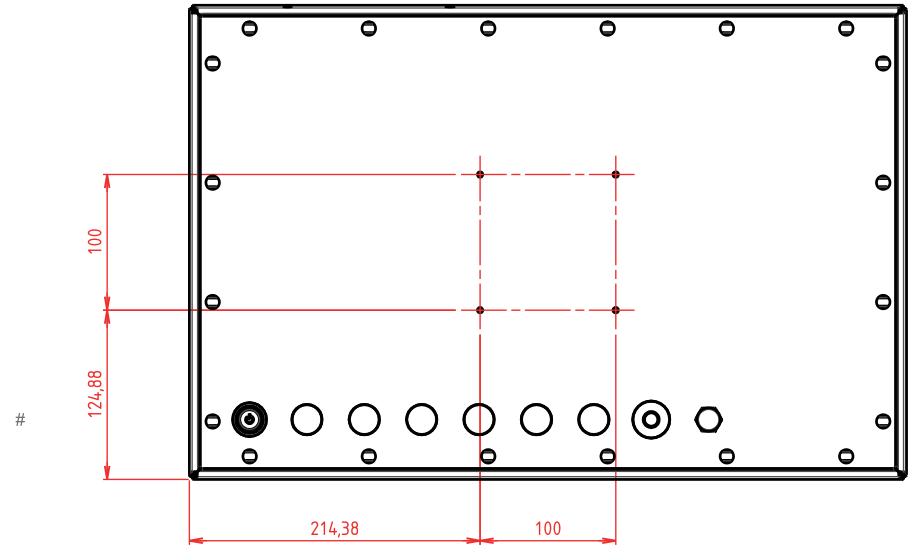
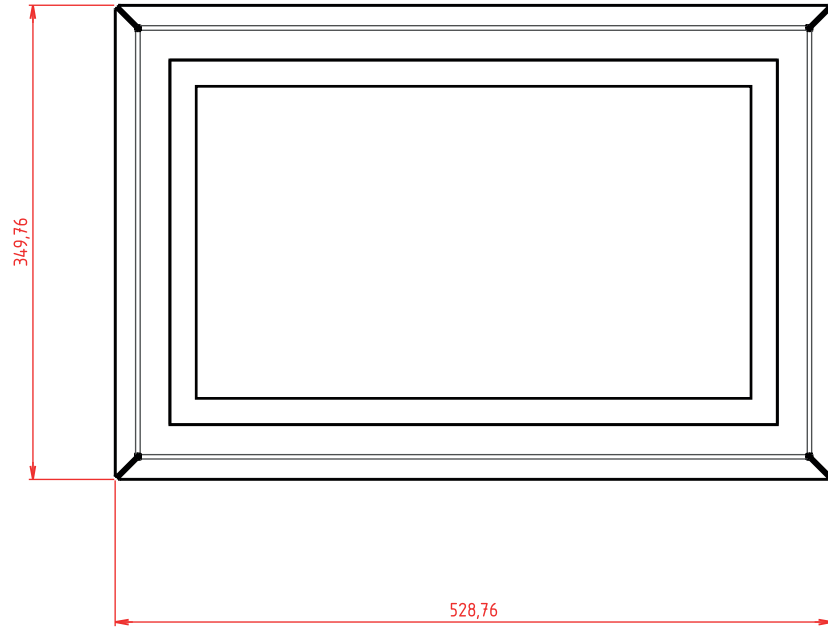


Unit: mm



PERSPECTIVE

