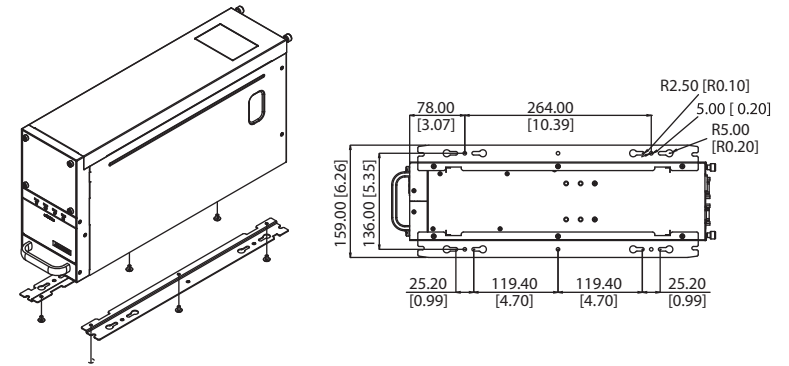


## Installation

Unit: mm

einzelnes System



4 Systeme (19"-Rack)

