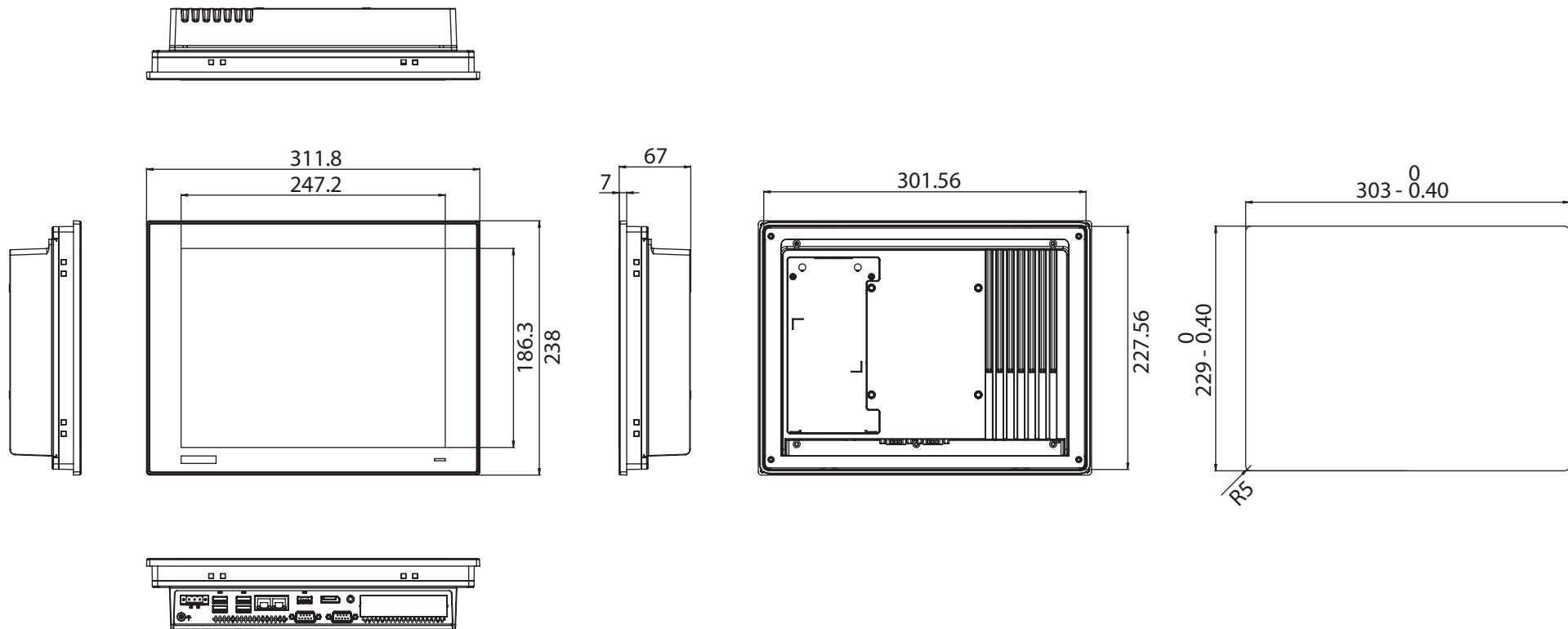


Unit: mm



TPC-312 Panel Cutout Dimensions: 303 x 229 mm (11.93 x 9.02 in)