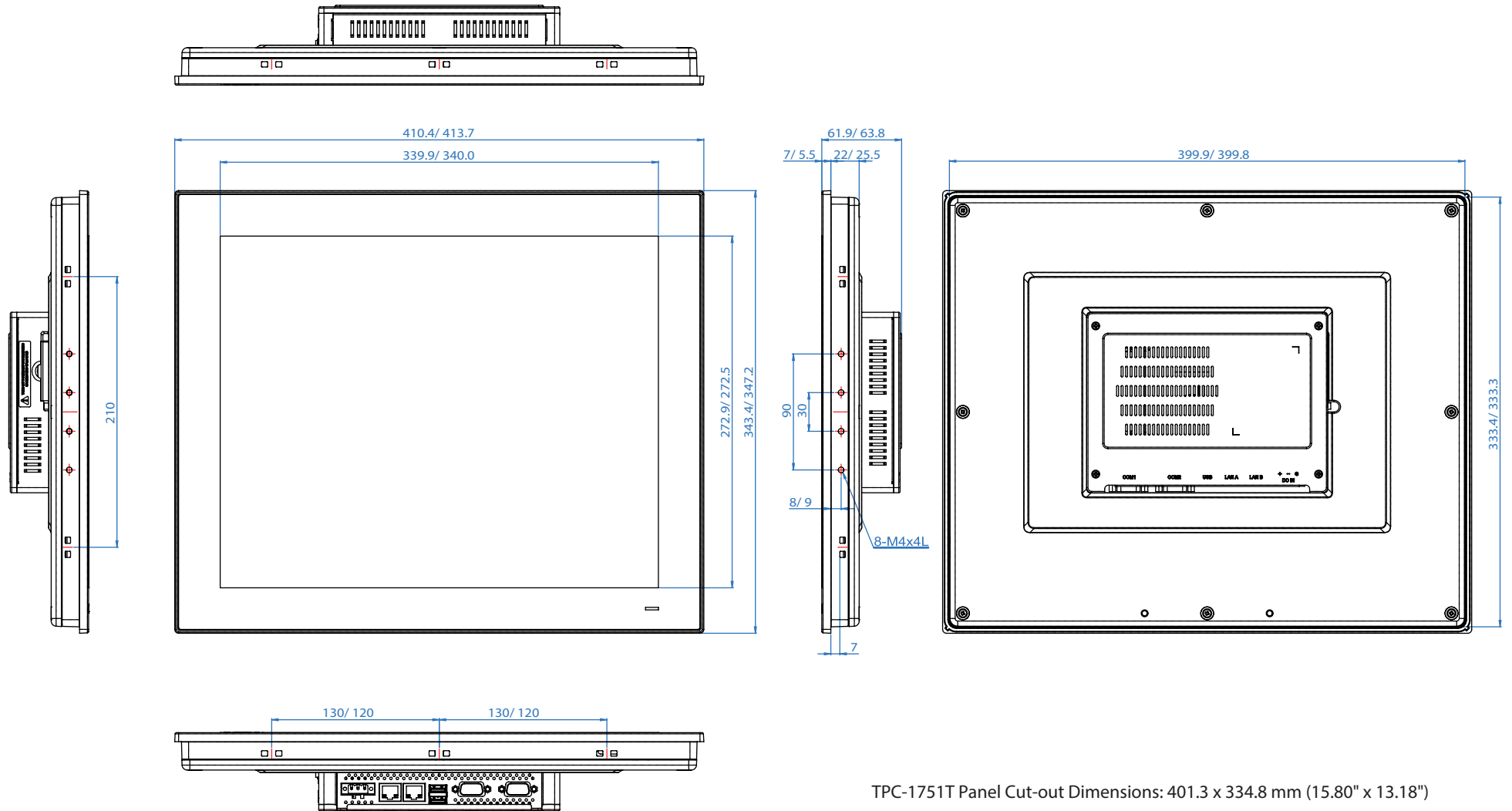


Unit: mm



TPC-1751T Panel Cut-out Dimensions: 401.3 x 334.8 mm (15.80" x 13.18")