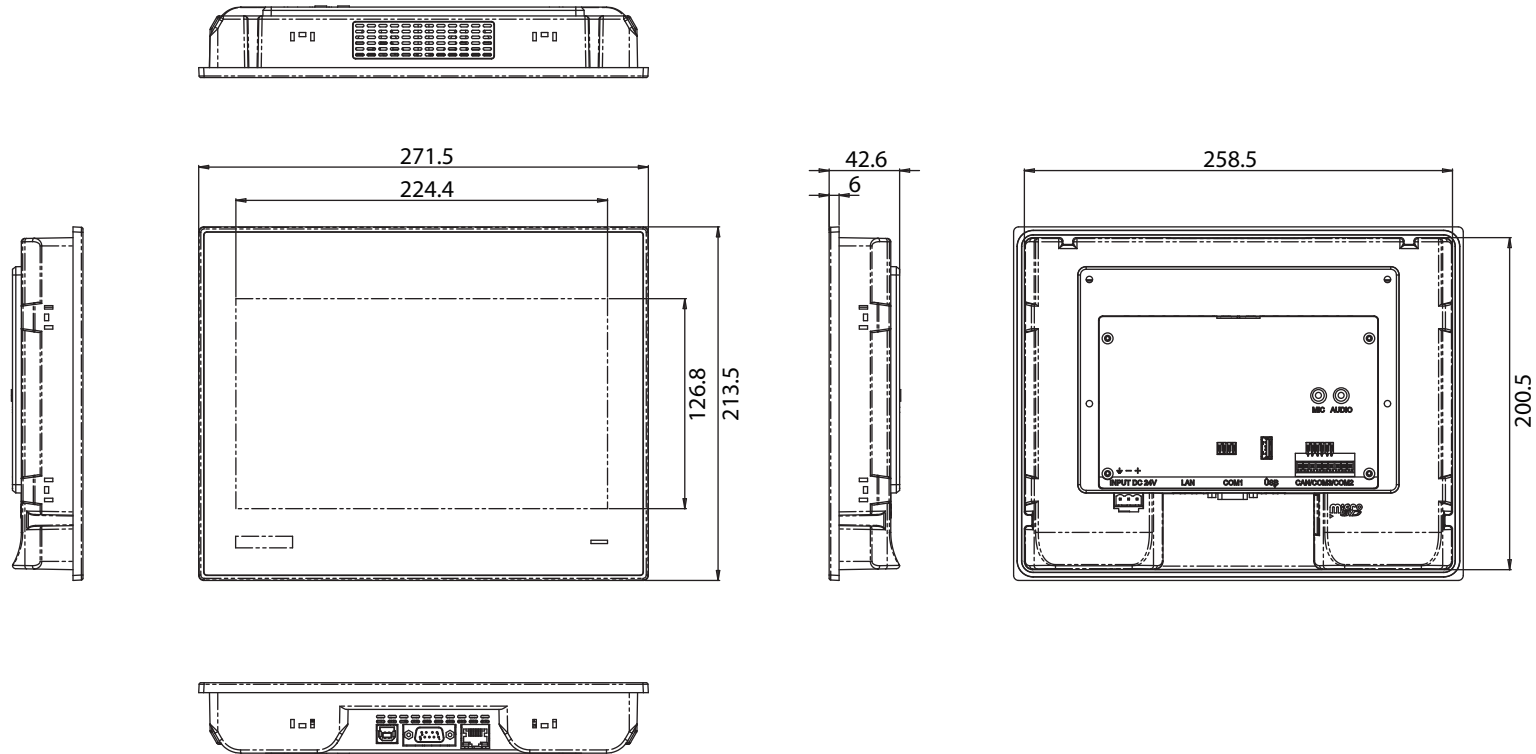


Unit: mm



Panel Cut-out Dimensions: 260 x 201.5 mm (10.24" x 7.93")